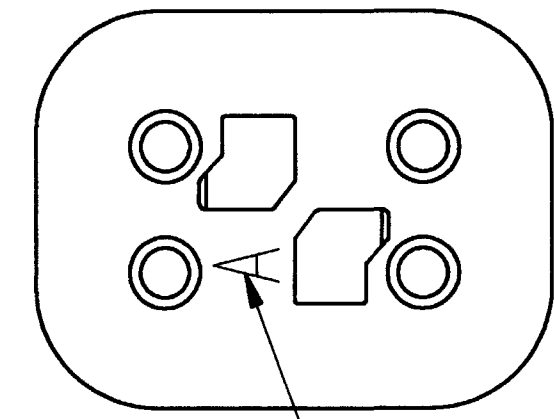
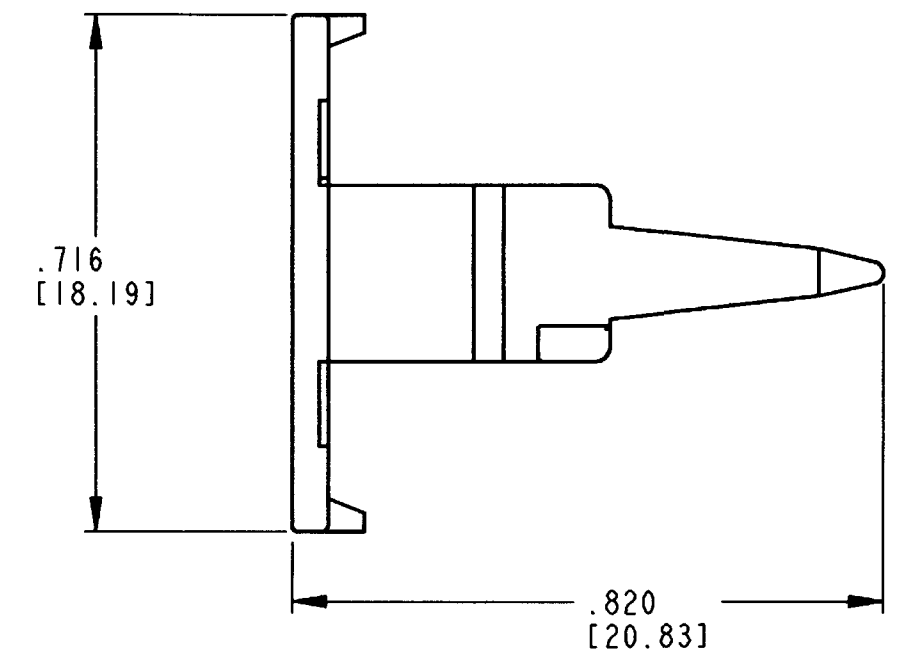
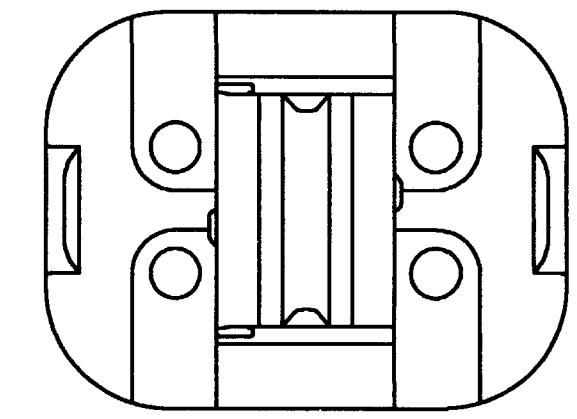
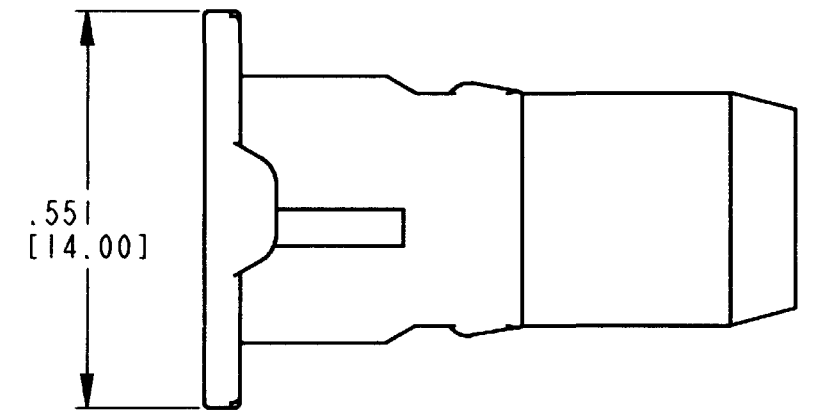


3D VIEW



WEDGE KEY IDENTIFICATION



REV	NC	W4SA-P012	REVISIONS			
			SYM	DESCRIPTION	DATE	APPROVED
			NC	NEW RELEASE PER E.O. P16275	9-8-99	RDR

- NOTES:
1. DIMENSIONS ARE IN INCHES [MILLIMETERS].
 2. DIMENSIONS ARE ±.025[0.63] UNLESS OTHERWISE SPECIFIED.
 3. THIS WEDGE LOCK IS UTILIZED BY DT06-4S-P012. WEDGE DESIGNED TO MATE WITH RECEPTACLE WEDGE W4PA.

SIGNATURE & DATE	
DR	S. THEIS 8/27/99
CHK	<i>W. Johnson</i> 9-1-99
PE	<i>S. J. J. 9-1-99</i>
APPD	<i>R. Reed</i> 9-8-99
SCALE	4:1 WT

WEDGE LOCK
 -A- KEY POSITION
 P012 MOD
 COLOR: GRAY
 DT SERIES
 ENVELOPE

CP	MATL. CODE
The Deutch Company DEUTSCH I.P.D. 3850 INDUSTRIAL AVE. HEMET, CALIF. 92545	
B	W4SA-P012
DWG SIZE	CODE 11139 SHEET 1 OF 1